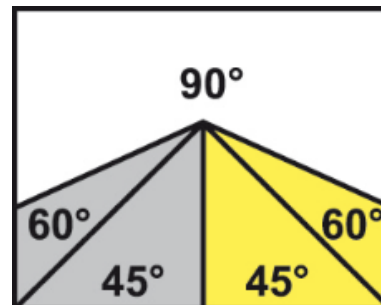




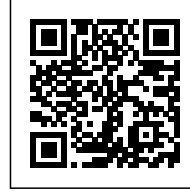
ARG 130



1730
x 13
x
0,65



A universal “small” band saw is appraised for general use in various workshops (work on locks, maintenance), at plants with machinery and in field installations. Robust framework of the machine is made of grey cast iron. The feed into cut is manual, against the pressure of the spring.



Category: [Manuelles](#)

GALLERY IMAGES



PRODUCT DESCRIPTION

- Modern concept of the band saw arm allows for large cutting ranges in both upright and angular cutting.
- Continuous adjustment of the cutting angle within the range 90°-60° when the workpiece is clamped tight.



- Simple locking and adjusting of the desired cutting angle on the angle scale.
- Maximum cutting accuracy and saw band service life in this category of band saws.
- High-precision three-side hardmetal band saw guidance.
- Manufactured bearing of running wheels, tensioning wheel system and all rotary parts are the same as in big professional machines.
- Professional, noiseless and maintenance-free band drive is provided by an industrial electric motor with worm gearbox.
- The machine can be equipped with two types of motors.
- Single-phase motor (230 V) with universal saw band speed of 75 m/min. facilitates easy mains connection. Three-phase two-speed motor (400 V) with saw band speed of 40 and 80 m/min. is suitable for frequent cutting of full sections and thick-walled sections.
- The machine is equipped with a 250 mm workpiece stop.

ARG 130 band saws are manufactured in the following versions:

ARG 130

Bench band saw without cooling.

ARG 130 TK

Bench band saw with cooling. The machine is connected to a complete cooling system with a professional high-performance pump and possibility of regulating the flow on both guiding heads.

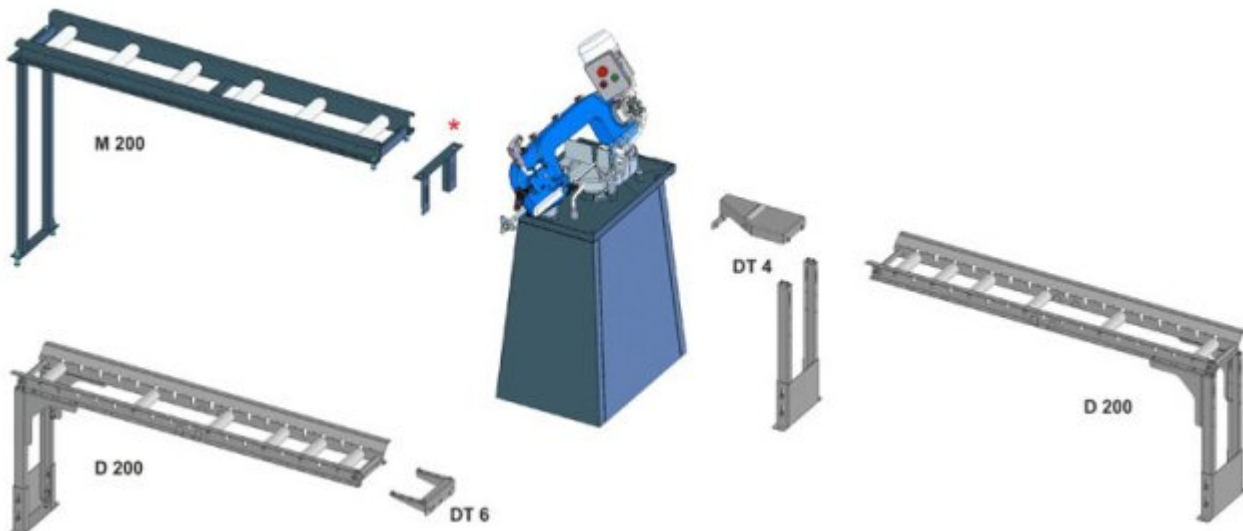
ARG 130 K

Band saw with a base and cooling. The machine is connected to a complete cooling system with a professional high-performance pump and possibility of regulating the flow on both guiding heads. Coolant tank is placed in the base of the machine. This version allows you to install conveyors both before and after the cut.

	90°	+45°	+60°
●	130	115	70
■	130	105	60
■	180 x 100	115 x 75	70 x 60

Main motor	230 V, 50 Hz, 0,55 kW / 400 V, 50 Hz, 0,37/0,55 kW
Pump motor	230 V, 50 Hz, 0,065 kW / 400 V, 50 Hz, 0,05 kW
Saw blade speed	75 m/min. / 40/80 m/min.
Working height of vice (with base)	905 mm
Coolant tank	cca 15 l
Machine dimensions (min.)	450 x 950 x 550 mm
Machine dimensions (max.)	830 x 1100 x 1538 mm
Machine weight	70 / 77 / 99 kg

Convoyeurs disponibles:





Constructeur français
de moyens de
trouçonnage standards
et spéciaux.

FICHE TECHNIQUE

ARG 130

<https://www.coup-indus.fr/produit/arg-130/>



Workpiece stop - Standard equipment

Simple stop for setting the required length of the material to be cut.